



# TESLA V100 PCIe GPU ACCELERATOR

PB-08744-001\_v05 | March 2018

**Product Brief**



## DOCUMENT CHANGE HISTORY

PB-08744-001\_v05

Version	Date	Authors	Description of Change
01	September 19, 2017	GG, SM	Initial Release
02	September 19, 2017	TC, SM	Removed graphics mode support in Table 3
03	October 6, 2017	GG, SM	Note added after “Extender” section
04	December 19, 2017	GG, SM	Updated Table 4 with MTBF data
05	March 14, 2018	TC, SM	Added specifications for Tesla V100 PCIe 32GB

# TABLE OF CONTENTS

<b>Overview</b> .....	<b>1</b>
<b>Specifications</b> .....	<b>3</b>
Product Specifications .....	3
Thermal Specifications .....	5
System Airflow Requirements .....	5
Airflow Direction Support .....	5
Max-Q Mode .....	6
nvidia-smi .....	6
<b>Design Discussion</b> .....	<b>7</b>
Form Factor .....	7
Power Connector Placement .....	8
CPU 8-Pin to PCIe 8-Pin Dongle .....	9
Extenders .....	9
<b>Support Information</b> .....	<b>11</b>
Languages .....	11

## LIST OF FIGURES

Figure 1.	Tesla V100 PCIe Board (With Optional I/O Bracket).....	2
Figure 2.	Tesla V100 PCIe Airflow Directions (With Optional I/O Bracket) .....	5
Figure 3.	Tesla V100 PCIe Board Dimensions (With Optional I/O Bracket) .....	7
Figure 4.	CPU 8-Pin Power Connector (With Optional I/O Bracket) .....	8
Figure 5.	CPU 8-Pin to PCIe 8-Pin Dongle.....	9
Figure 6.	Long Offset Extender .....	10
Figure 7.	Straight Extender.....	10

## LIST OF TABLES

Table 1.	Product Specifications.....	3
Table 2.	Memory Specifications.....	4
Table 3.	Software Specifications.....	4
Table 4.	Board Environment and Reliability Specifications .....	4
Table 5.	Thermal Specifications .....	5
Table 6.	Supported Auxiliary Power Connections .....	8
Table 7.	Languages Supported .....	11

# OVERVIEW

The NVIDIA® Tesla® V100 GPU Accelerator for PCIe is a dual-slot 10.5 inch PCI Express Gen3 card with a single NVIDIA Volta GV100 graphics processing unit (GPU). It uses a passive heat sink for cooling, which requires system air flow to properly operate the card within its thermal limits. The Tesla V100 PCIe supports double precision (FP64), single precision (FP32) and half precision (FP16) compute tasks, unified virtual memory and page migration engine.


For performance optimization, NVIDIA GPU Boost™ feature is supported. By automatically adjusting the GPU clock dynamically, maximum performance is achieved within the power cap limit.

Tesla V100 PCIe boards are shipped with ECC enabled by default to protect the GPU's memory interface and the on-board memories. ECC protects the memory interface by detecting any single, double, and all odd-bit errors. The GPU will retry any memory transaction that has an ECC error until the data transfer is error-free. ECC protects the DRAM content by fixing any single-bit errors and detecting double-bit errors. The Tesla V100 PCIe with 16GB of HBM2 memory has native support for ECC and has no ECC overhead, both in memory capacity and bandwidth.

Tesla V100 PCIe supports Maximum Performance (Max-P) and Maximum Efficiency (Max-Q) modes. In Max-P mode, the Tesla V100 PCIe Accelerator will operate unconstrained up to its thermal design power (TDP) level of 250 W to accelerate applications that require the fastest computational speed and highest data throughput.

Max-Q mode allows data center managers to tune power usage of their Tesla V100 PCIe Accelerators to operate with optimal performance per watt. A power limit can be set via software across all GPUs in a rack, reducing power consumption dramatically, while still obtaining excellent rack performance for target applications. Max-Q is not tied to a specific power number. The data center manager can set the Tesla V100 to a power budget (as long as it is below 250 W) that delivers the best perf/watt for the target

workload. Max-Q gives the data center manager the flexibility to optimize the throughput at a node-level, rack-level or data center-level based on the power budget.

 **Note:** All occurrences of Volta refer to the NVIDIA project code name.

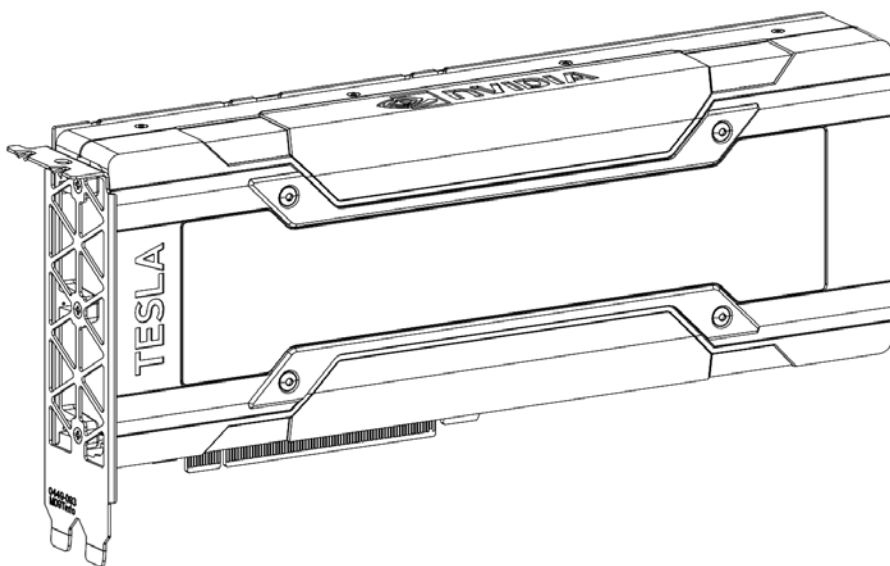


Figure 1. Tesla V100 PCIe Board (With Optional I/O Bracket)

# SPECIFICATIONS

## PRODUCT SPECIFICATIONS

Table 1 provides the product specifications for the Tesla V100 PCIe board.

Table 1. Product Specifications

Specification		Tesla V100 PCIe 16GB	Tesla V100 PCIe 32GB
Product SKUs		NVPN: 699-2G500-0200-XXX	NVPN: 699-2G500-0202-XXX
Total board power		250 W	
GPU SKUs		GV100-893-A1	GV100-897-A1
PCI Device IDs		Device ID: 0x1DB4 Vendor ID: 0x10DE Sub-Vendor ID: 0x10DE Sub-System ID: 0x1214	Device ID: 0x1DB6 Vendor ID: 0x10DE Sub-Vendor ID: 0x10DE Sub-System ID: 0x124A
GPU clocks	Base	1245 MHz	1230 MHz
	Maximum boost	1380 MHz	1380 MHz
VBIOS	EEPROM size	8 Mbit	
	UEFI	Supported	
PCI Express interfaces		PCI Express 3.0 ×16, Lane and polarity reversal supported	
Power connectors and headers		One CPU 8-pin auxiliary power connector	
Weight	Board	1196 Grams	
	Bracket with screws	21 Grams	
	Long offset extender	52 Grams	
	Straight extender	42 Grams	

Table 2 provides the memory specifications for the Tesla V100 PCIe board.

Table 2. Memory Specifications

Specification	Tesla V100 PCIe 16GB	Tesla V100 PCIe 32GB
Maximum memory clock	877 MHz	
Memory size	16 GB HBM2	32 GB HBM2
Memory bus width	4096-bit	
Peak memory bandwidth	Up to 900 GB/s	

Table 3 provides the software specifications.

Table 3. Software Specifications

Specification	Description
Compatibility mode supported	Compute only
Base address	BAR0: 16 MB BAR1: 16 GB / 32 GB BAR3: 32 MB
PCI class code	0x03 - Display Controller
PCI sub-class code	0x02 - 3D Controller
ECC support	Supported (Enabled by default)
SMBus (8-bit address)	0x9E (write), 0x9F (read)
SMBus direct access	Supported
SMBPBI (SMBus Post Box Interface)	Supported
Max customer boost clock	Supported
Zero Power	Not supported

Table 4 provides the environment conditions specifications for the Tesla V100 PCIe board.

Table 4. Board Environment and Reliability Specifications

Specification	Condition
Operating temperature	0 °C to 45 °C
Storage temperature	-40 °C to 75 °C
Operating humidity	5% to 90% relative humidity
Storage humidity	5% to 95% relative humidity
Mean time between failures (MTBF)	Uncontrolled environment: 1005907 hours at 35 °C Controlled environment: 1869491 hours at 35 °C



## THERMAL SPECIFICATIONS

Table 5 provides the thermal specifications for the Tesla V100 PCIe board.

Table 5. Thermal Specifications

Parameter	Value	Units
Total board power	250	W
GPU thermal qualification temperature	80	°C
GPU maximum operating temperature	83	°C
HBM maximum operating temperature	85	°C
GPU slowdown temperature (50% clock slowdown)	87	°C
GPU shutdown temperature	90	°C

## SYSTEM AIRFLOW REQUIREMENTS

### Airflow Direction Support

The Tesla V100 PCIe board employs a bidirectional heat sink, which accepts airflow either left-to-right or right-to-left directions.

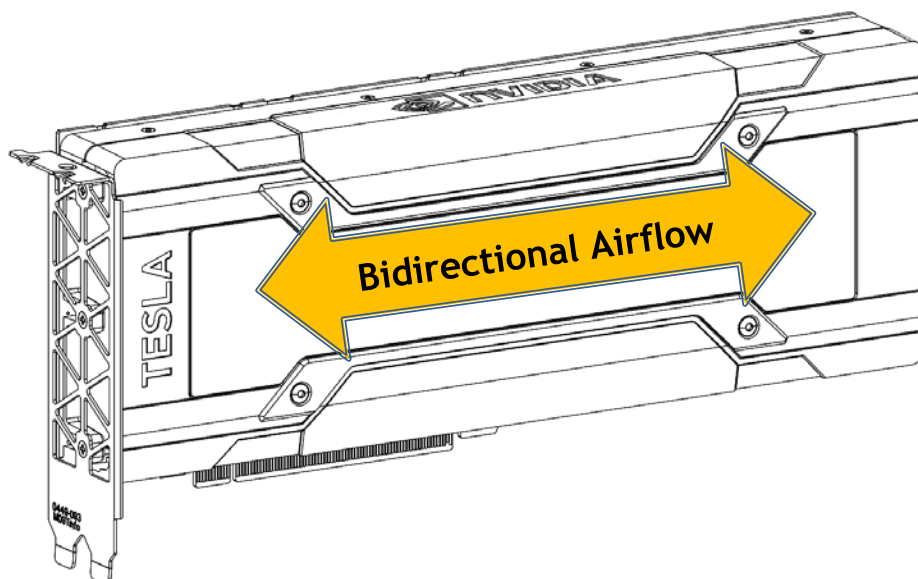


Figure 2. Tesla V100 PCIe Airflow Directions (With Optional I/O Bracket)

## MAX-Q MODE

Max-Q is defined as the point that delivers the best performance/watt for a given workload. Different workloads may have different Max-Q points.

Data center managers can tune power usage of their Tesla V100 PCIe Accelerators via `nvidia-smi` to any value below 250 W. For example, when the workload does not need all 250 W or the rack is power constrained, the board power can be set to a lower level.

## `nvidia-smi`

`nvidia-smi` is an in-band monitoring tool provided with the NVIDIA driver and can be used to set the maximum power consumption with driver running in persistence mode. An example command to enable Max-Q is shown (power limit 180 W):

```
nvidia-smi -pm 1
```

```
nvidia-smi -pl 180
```

To restore the Tesla V100 back to its default TDP power consumption, you can either unload the driver module and reload, or use the following command:

```
nvidia-smi -pl 250
```

# DESIGN DISCUSSION

## FORM FACTOR

The Tesla V100 PCIe board conforms to NVIDIA Form Factor 3.0 specification. In this product brief, nominal dimensions are shown.

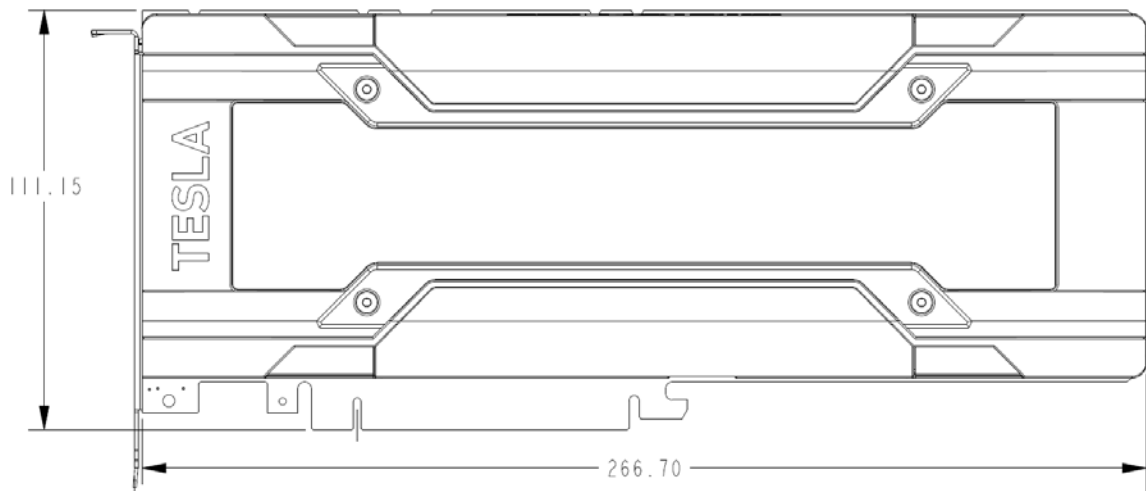


Figure 3. Tesla V100 PCIe Board Dimensions (With Optional I/O Bracket)

## POWER CONNECTOR PLACEMENT

The board provides a CPU 8-pin power connector on the East edge of the board.

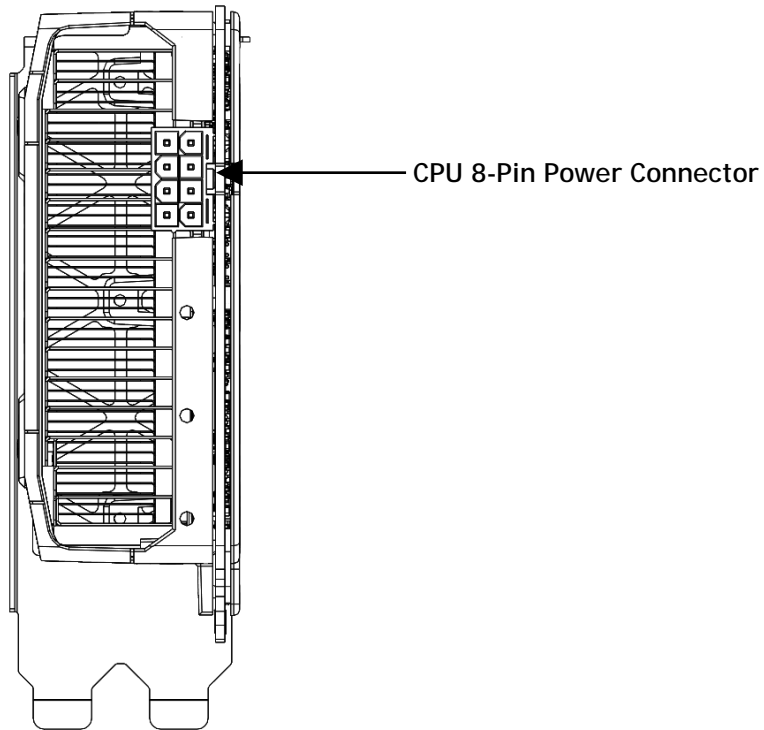


Figure 4. CPU 8-Pin Power Connector (With Optional I/O Bracket)

Table 6. Supported Auxiliary Power Connections

Board Connector	PSU Cable
CPU 8-pin	1x CPU 8-pin cable
CPU to PCIe 8-pin dongle	2x PCIe 8-pin cable 2x PCIe 6-pin cable <sup>1</sup> 1x PCIe 8-pin cable and 1x PCIe 6-pin cable <sup>1</sup>

**Notes:**

<sup>1</sup>The PCIe 6-pin cable must be capable of carrying up to 120 W.

## CPU 8-Pin to PCIe 8-Pin Dongle

Figure 5 lists the pin assignments of the dongle. The part number for the dongle is NVPN: 030-0571-000.

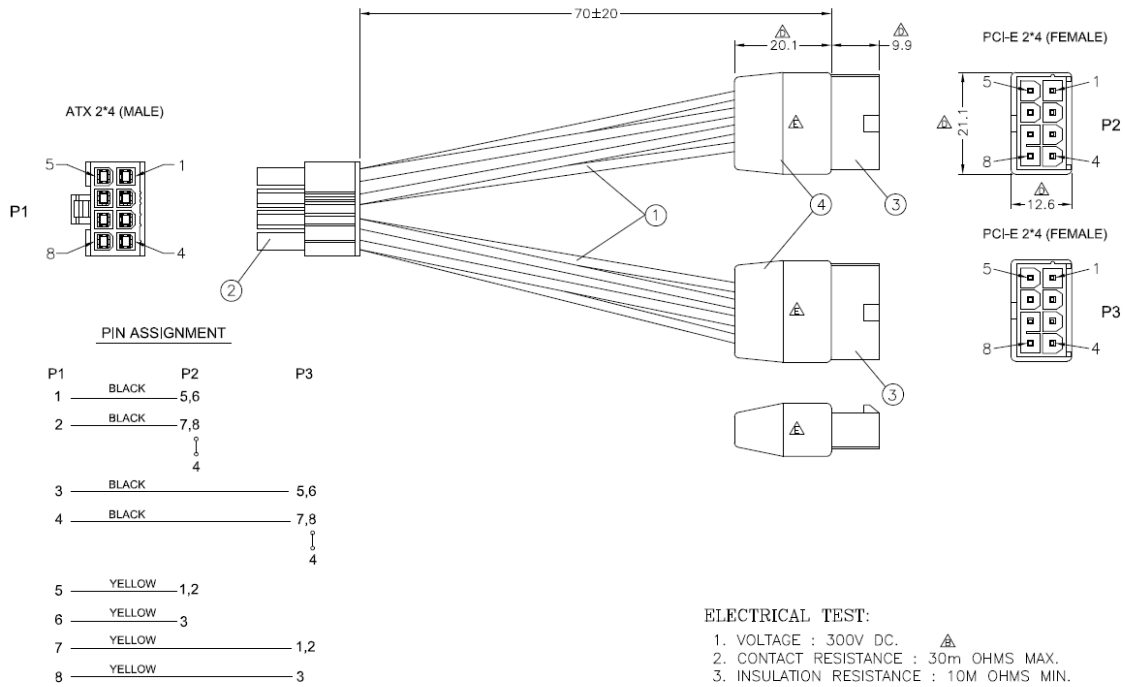


Figure 5. CPU 8-Pin to PCIe 8-Pin Dongle

## EXTENDERS

The Tesla V100 PCIe board provides two extender options as shown in the following figures.

- ▶ NVPN: 682-00003-5555-002 – Long offset extender (Figure 6)
  - Card + extender = 339 mm
- ▶ NVPN: 682-00003-5555-000 – Straight extender (Figure 7)
  - Card + extender = 312 mm

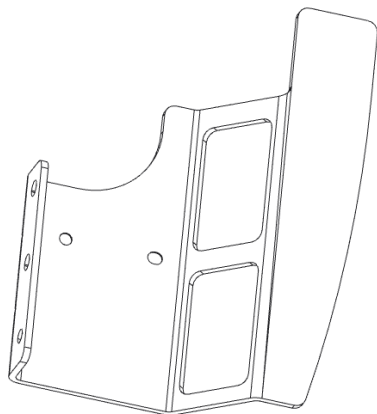


Figure 6. Long Offset Extender

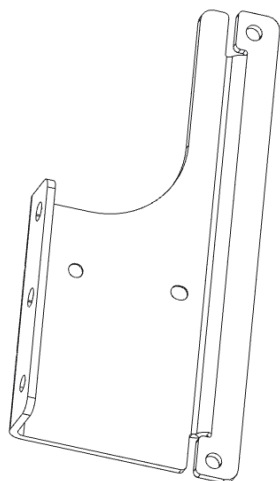


Figure 7. Straight Extender

- ▶ Using the standard NVIDIA extender ensures greatest forward compatibility with future NVIDIA product offerings.
- ▶ If the standard extender will not work, OEMs may design a custom attach method using the extender mounting holes on the heat sink baseplate. The extender mounting holes will vary among NVIDIA products, so designing for flexibility is recommended.



**Note:** Use this device only with UL Listed ITE Personal Computer (PC)/Server. The device must be installed with the bracket facing the side of the equipment.

# SUPPORT INFORMATION

## LANGUAGES

Table 7. Languages Supported

Languages	Windows <sup>1</sup>	Linux
English (US)	Yes	Yes
English (UK)	Yes	Yes
Arabic	Yes	
Chinese, Simplified	Yes	
Chinese, Traditional	Yes	
Czech	Yes	
Danish	Yes	
Dutch	Yes	
Finnish	Yes	
French (European)	Yes	
German	Yes	
Greek	Yes	
Hebrew	Yes	
Hungarian	Yes	
Italian	Yes	
Japanese	Yes	
Korean	Yes	
Norwegian	Yes	
Polish	Yes	
Portuguese (Brazil)	Yes	
Portuguese (European/Iberian)	Yes	

Languages	Windows <sup>1</sup>	Linux
Russian	Yes	
Slovak	Yes	
Slovenian	Yes	
Spanish (European)	Yes	
Spanish (Latin America)	Yes	
Swedish	Yes	
Thai	Yes	
Turkish	Yes	

**Note:**

<sup>1</sup>Windows 7, Windows 8, Windows 8.1, Windows 10, Windows Server 2008 R2, Windows Server 2012 R2, and Windows Server 2016 are supported.



## Notice

The information provided in this specification is believed to be accurate and reliable as of the date provided. However, NVIDIA Corporation (“NVIDIA”) does not give any representations or warranties, expressed or implied, as to the accuracy or completeness of such information. NVIDIA shall have no liability for the consequences or use of such information or for any infringement of patents or other rights of third parties that may result from its use. This publication supersedes and replaces all other specifications for the product that may have been previously supplied.

NVIDIA reserves the right to make corrections, modifications, enhancements, improvements, and other changes to this specification, at any time and/or to discontinue any product or service without notice. Customer should obtain the latest relevant specification before placing orders and should verify that such information is current and complete.

NVIDIA products are sold subject to the NVIDIA standard terms and conditions of sale supplied at the time of order acknowledgement, unless otherwise agreed in an individual sales agreement signed by authorized representatives of NVIDIA and customer. NVIDIA hereby expressly objects to applying any customer general terms and conditions with regard to the purchase of the NVIDIA product referenced in this specification.

NVIDIA products are not designed, authorized or warranted to be suitable for use in medical, military, aircraft, space or life support equipment, nor in applications where failure or malfunction of the NVIDIA product can reasonably be expected to result in personal injury, death or property or environmental damage. NVIDIA accepts no liability for inclusion and/or use of NVIDIA products in such equipment or applications and therefore such inclusion and/or use is at customer’s own risk.

NVIDIA makes no representation or warranty that products based on these specifications will be suitable for any specified use without further testing or modification. Testing of all parameters of each product is not necessarily performed by NVIDIA. It is customer’s sole responsibility to ensure the product is suitable and fit for the application planned by customer and to do the necessary testing for the application in order to avoid a default of the application or the product. Weaknesses in customer’s product designs may affect the quality and reliability of the NVIDIA product and may result in additional or different conditions and/or requirements beyond those contained in this specification. NVIDIA does not accept any liability related to any default, damage, costs or problem which may be based on or attributable to: (i) the use of the NVIDIA product in any manner that is contrary to this specification, or (ii) customer product designs.

No license, either expressed or implied, is granted under any NVIDIA patent right, copyright, or other NVIDIA intellectual property right under this specification. Information published by NVIDIA regarding third-party products or services does not constitute a license from NVIDIA to use such products or services or a warranty or endorsement thereof. Use of such information may require a license from a third party under the patents or other intellectual property rights of the third party, or a license from NVIDIA under the patents or other intellectual property rights of NVIDIA. Reproduction of information in this specification is permissible only if reproduction is approved by NVIDIA in writing, is reproduced without alteration, and is accompanied by all associated conditions, limitations, and notices.

ALL NVIDIA DESIGN SPECIFICATIONS, REFERENCE BOARDS, FILES, DRAWINGS, DIAGNOSTICS, LISTS, AND OTHER DOCUMENTS (TOGETHER AND SEPARATELY, “MATERIALS”) ARE BEING PROVIDED “AS IS.” NVIDIA MAKES NO WARRANTIES, EXPRESSED, IMPLIED, STATUTORY, OR OTHERWISE WITH RESPECT TO THE MATERIALS, AND EXPRESSLY DISCLAIMS ALL IMPLIED WARRANTIES OF NONINFRINGEMENT, MERCHANTABILITY, AND FITNESS FOR A PARTICULAR PURPOSE. Notwithstanding any damages that customer might incur for any reason whatsoever, NVIDIA’s aggregate and cumulative liability towards customer for the products described herein shall be limited in accordance with the NVIDIA terms and conditions of sale for the product.

## Trademarks

NVIDIA, the NVIDIA logo, NVIDIA GPU Boost, and Tesla are trademarks and/or registered trademarks of NVIDIA Corporation in the U.S. and other countries. Other company and product names may be trademarks of the respective companies with which they are associated.

## Copyright

© 2017, 2018 NVIDIA Corporation. All rights reserved.