

1

## Xum Enterprise LTD.

Unit5A, Orion Trading Estate  
Trafford Park, Manchester, UK  
M17 1JT



# 128GB/256GB/512GB/1TB SATA3 6Gbps MLC 2.5" SSD

May, 2020





## Overview

XUM brand FULL sized series SSD offers great performance, reliability and value. It's designed for desktops and laptops where customers are looking for updates with quality parts to boost the speed.

## Benefits

- Perfect replacement for traditional HDD, faster access to your files
- No mechanical sound like HDD, bring you quiet environment
- Less power consumption, no overheating issues, extend battery life especially for laptop users
- Extreme shock resistance

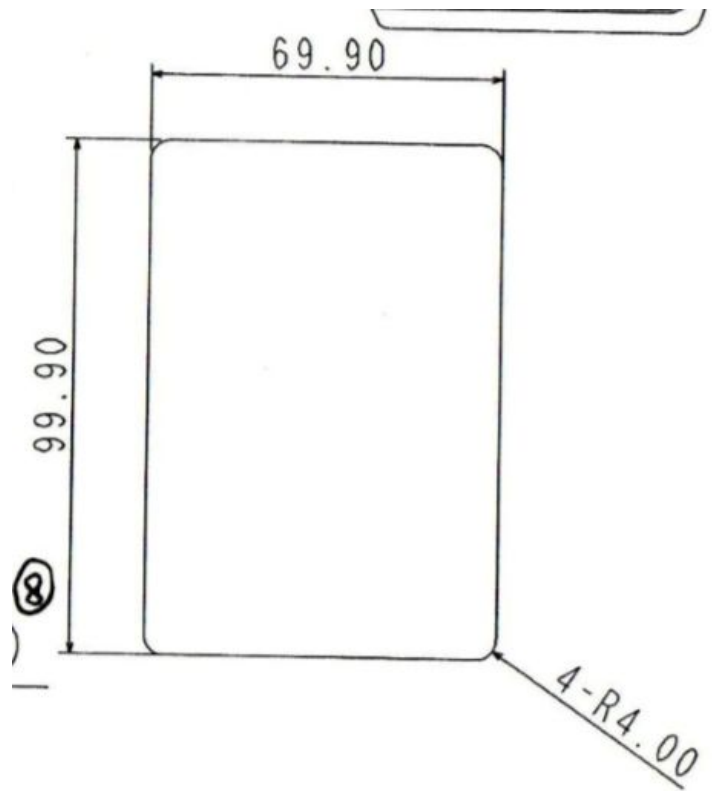
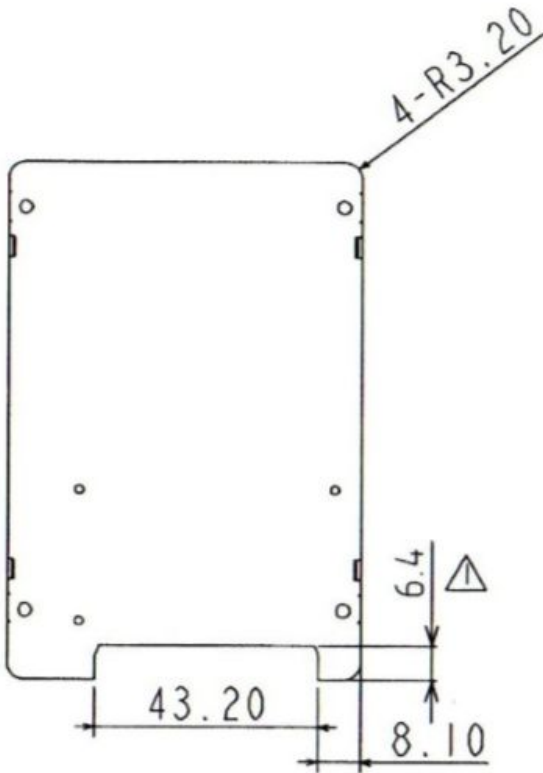
## Features

- MLC chipsets, provide FULL sized usage space, more reliable and longer lifetime than traditional TLC based SSDs
- 2.5 inch with SATA3 6Gbps interface, backwards compatible with SATA2 3Gbps and SATA 1.5Gbps ports
- Supports S.M.A.R.T - Self Monitoring, Analysis and Reporting Technology
- Fully compatible with Windows, Linux, MacOS



XUM  
*in for Quality*

## Dimension





**XUM**  
*in for Quality*

## Specifications

Capacity available	128GB, 256GB, 512GB, 1TB
Form Factor	2.5 Inch
NAND	MLC
Controller Technology	SMI
Interface	SATA3 6Gbps Compatible with SATA2 3Gbps Compatible with SATA 1.5Gbps
Speed(up to) <small>*Result may differ depends on testing hardware environment</small>	128GB= Read 465MB/s, Write 400MB/s 256GB= Read 470MB/s, Write 420MB/s 512GB= Read 530MB/s, Write 480MB/s 1TB = Read 550MB/s, Write 500MB/s
Power Consumption(mW) <sup>2</sup> <small>*May differ according to flash configuration and platform</small>	128GB= Read 1000, Write 1035 256GB= Read 1200, Write 1550 512GB= Read 1550, Write 1750 1TB= Read 1600, Write 1800
TBW	128GB = >60 256GB = >100 512GB = >180 1TB = > 180
MTBF	1.5 Million Hours

## Trade packing order codes

Capacity	SKU	Barcode(EAN)
128GB	HX128GSSDSATA3	5057625072368
256GB	HX256GSSDSATA3	5057625072115
512GB	HX512GSSDSATA3	5057625072375
1TB	HX1TSSDSATA3	5057625072399